

Tic Talk Times



APRIL 2013
VOL. 32, No. 9

Newsletter of Orange County Chapter 69 of the
National Association of Watch and Clock Collectors

Meeting Minutes, March 1, 2013

AN ALARMING MEETING

The meeting was called to order by Secretary Phyllis Adams. Bob Linkenhoker announced chapter 116 minimart for March and Chapter 81 for April. The upcoming Arizona mart will have a display of Thomas Tomkin Clocks. Health & Welfare: Sally is on the mend. Dave moved to accept last month's minutes and Annette seconded. The Museum in Columbia PA is having a display of alarm clocks for 9 months. Contact Joy Starr for information.

Old business: Phyllis will check with Tony about April's program.

This month's program was a video called Alarm Clocks Fun and Functional. They were chronological from the 1930;s and all had some kind of animation, some with animated dials. There were Luxes with a spinning wheel, water wheel, and paddle wheel. Ingersoll had a Big Bad Wolf. Lux, now Robert Shaw, had an Early Bird gets the worm; there was a Chinese clock waving Mao's Little Red Book, and a clock face with cards, and many of these came from West Germany. There was a Liberty Bell with Minute Men and Liberty Bell; Schmidt from Great Britain had Popeye and Swee'Pea; a Chinese clock had animated ping pong dating from when



Popeye and Swee'Pea Alarm Clock

President Nixon opened trade with China. There was also a soccer clock with the player kicking the ball. Some from China came through Australia to this country. Another maker from Britain was Smith. There was a "Lester Maddox" clock, and a Chinese Mickey Mouse clock where the ears are the bells and the face is the alarm.



Mickey Mouse Alarm Clock

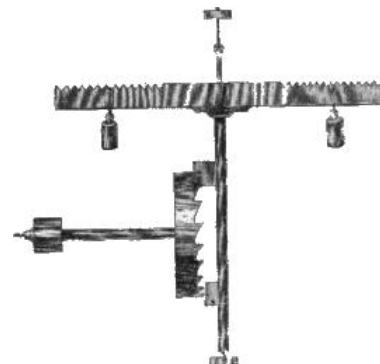
This Month

ANOTHER HYBRID ...BUT NOT A CAR

This month, Tony Baker will tell us about the Journey and Development of Tony's Hybrid Clock.

A hybrid clock is a blend between electronics and a precision pendulum. The presentation will trace the ongoing development from 2010 to present day.

Tony has always been interested in precision time, in 2010 he decided to create one of his own design using modern materials. The goal was to produce the most accurate clock that could be manufactured from his workshop. After studying the subject it was decided to create the goal of accuracy to within one second per month. To find out if he was able to accomplish this you will need to attend this month's meeting!



TIME TRIVIA

Mechanical clocks employing the verge escapement mechanism were invented in Europe at around the start of the 14th century, and became the standard timekeeping device until the spring-powered clock and pocket watch in the 16th century.

(Continued on page 2)


National Association of
WATCH & CLOCK
Collectors, Inc.

(Continued from page 1)

Show & Tell—Dave Weisbart showed us his Ansonia alarm called ‘Comet’, it is cast iron and it says “carriage extra-nickel plated”; a 1920’s “Square Pirate”; and a Apex clock—this is a one piece cast case with no glass- it is 8 day – you can set the duration of the alarm. He said the other Apex model is a wall alarm clock.



Show and Tell alarm clocks

The raffle prizes were won by Ken Lynn, Julie Kemmerer, and Bill Clark. The Waterbury clock was raffled off with special \$5.00 tickets and won by Dave Weisbart who will give it a good home.

UPCOMING MARTS

APRIL 2013

[2013 Southern Ohio Regional](#)

When: Apr 11 - 13

Where: Roberts Convention Centre, Wilmington, OH, US

[2013 Memphis Annual Regional](#)

When: Apr 27

Where: Bartlett Station Municipal Center, Bartlett, TN

MAY 2013

[2013 Pacific Northwest Regional](#)

When: May 16 - 19

Where: Monarch Hotel & Conference Center, Clackamas, OR, US

[2013 North Coast Regional](#)

When: May 17 - 18

Where: Lakeland Community College, Kirtland, OH, US

JUNE 2013

[2013 KY Bluegrass Regional](#)

When: Jun 21 - 22

Where: Fern Valley Hotel and Conference Center, Louisville, KY, US

JULY 2013

[2013 National Convention](#)

When: Jul 3 - 6

Where: Dayton Convention Center, Dayton, OH, US

[2013 Rocky Mountain Regional](#)

When: Jul 19 - 20

Where: Jefferson County Fairgrounds, Golden, CO, US

Full details for all upcoming marts: <http://community.nawcc.org/events/upcomingevents/>

**DATED MEETING NOTICE
PLEASE DO NOT DELAY**

*The National
ASSOCIATION OF
WATCH & CLOCK
Collectors, Inc.*
Orange County Chapter No. 69
c/o Cora Lee Linkenhoker
7186 Calico Cir.
Corona, CA 92881



OUR NEXT MEETING: FRIDAY APRIL 5, 2013

Program:

**DEVELOPMENT OF
TONY'S HYBRID
CLOCK**

Time: 7:00 – Doors open
8:00 – General Meeting

Admission: \$4.00 – General
\$6.00 – Couples

Location: Acacia Grove Masonic Lodge
11270 Acacia Parkway
(in the Civic Center)
Garden Grove, CA

Beginner's Corner Mini-Seminar:

No Beginner's Corner this month

Show & Tell:

Horological items beginning with letter "W"

Board Meeting:

No board meeting in April

